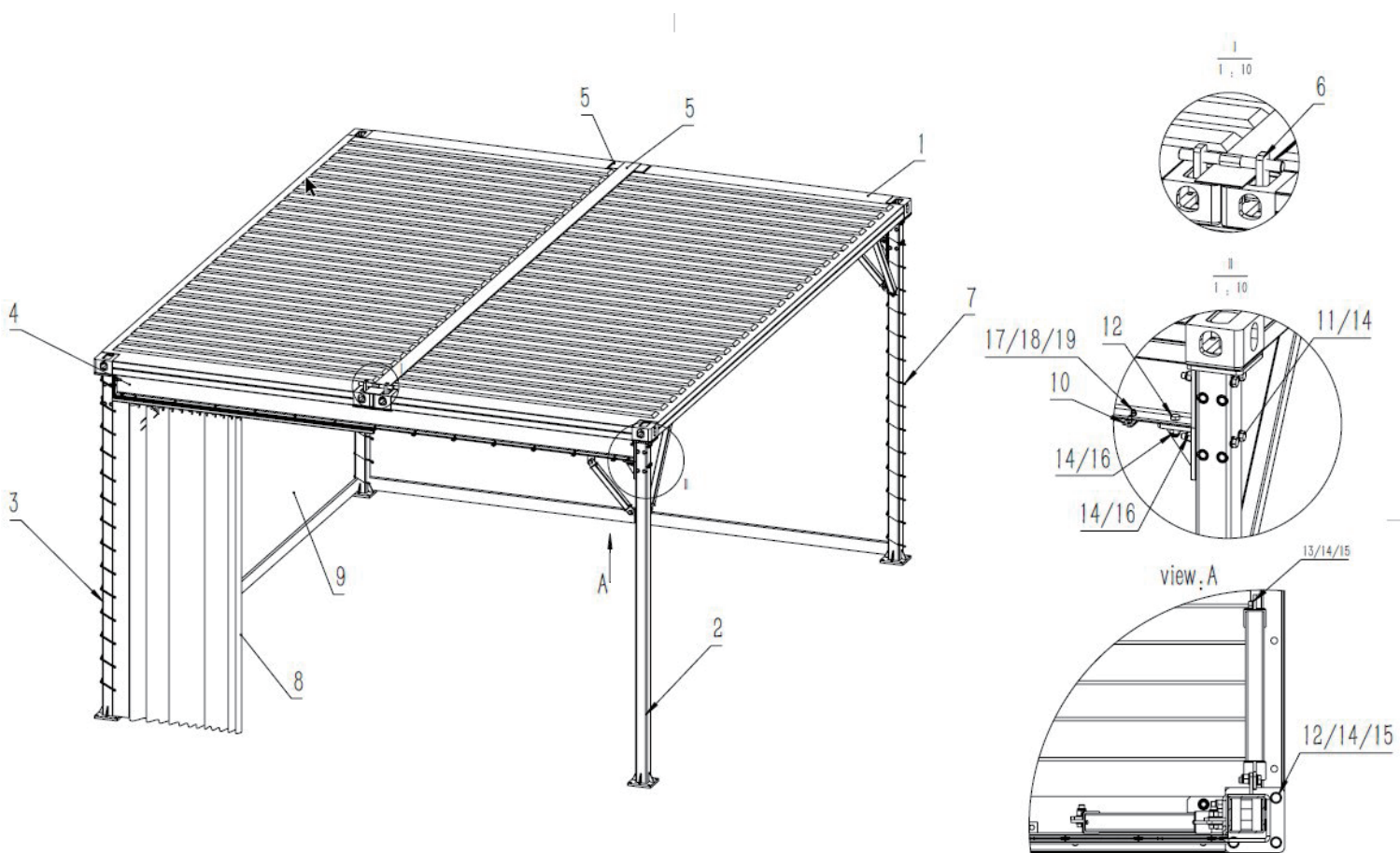
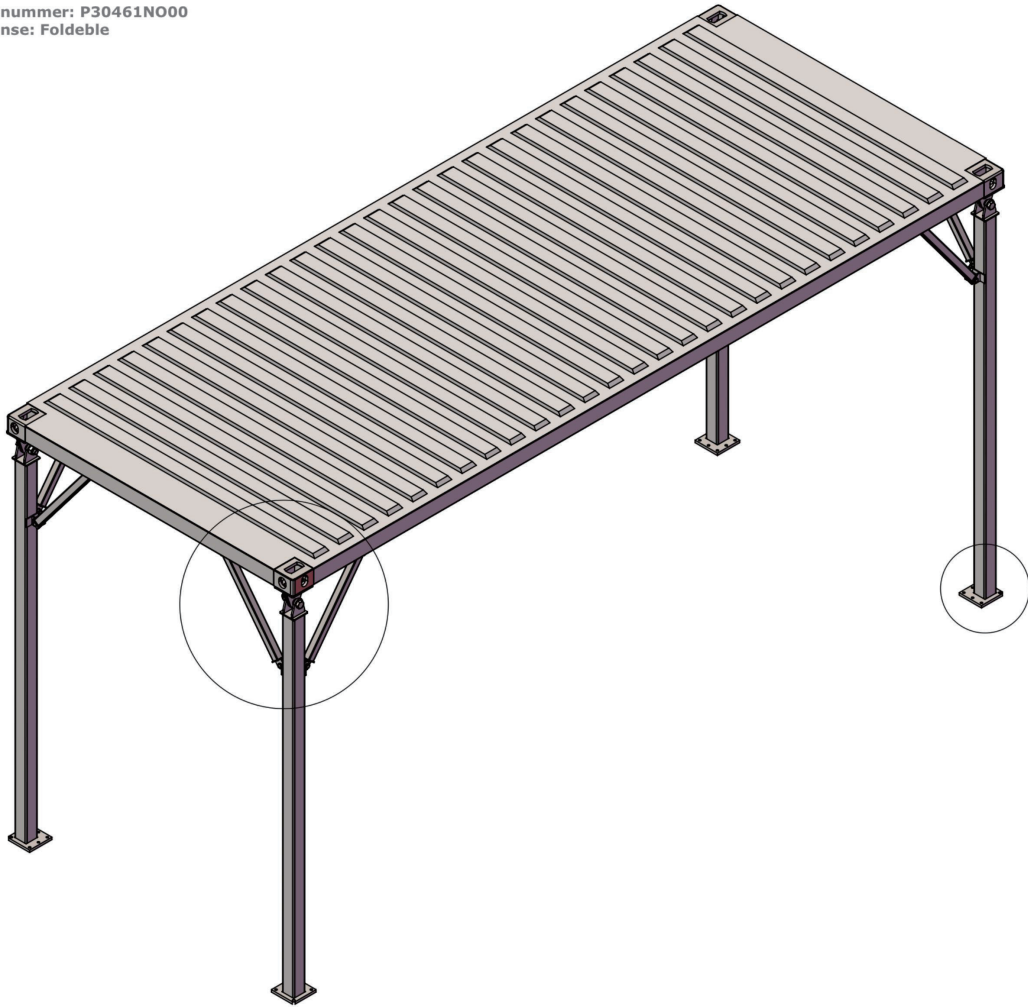
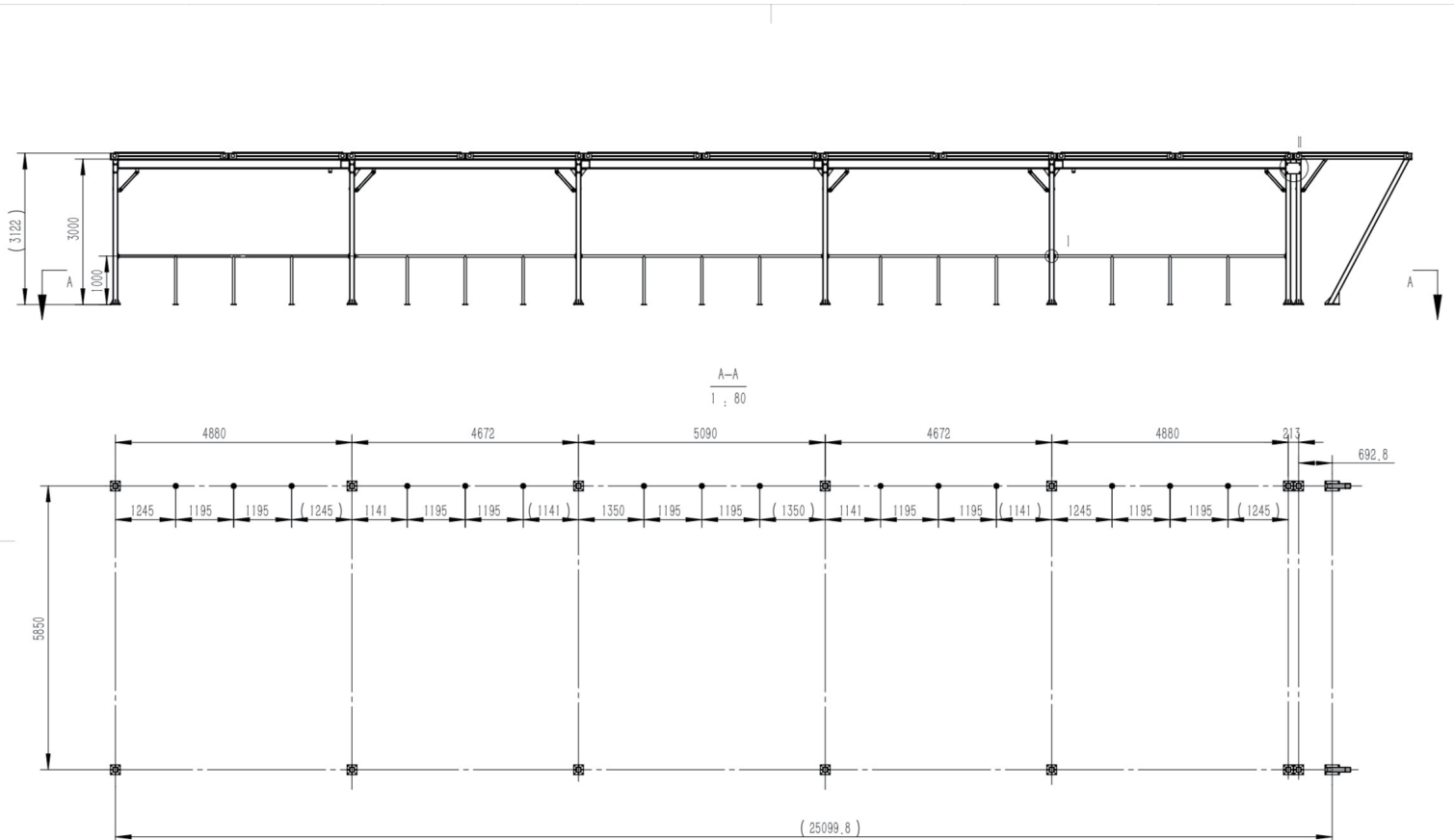
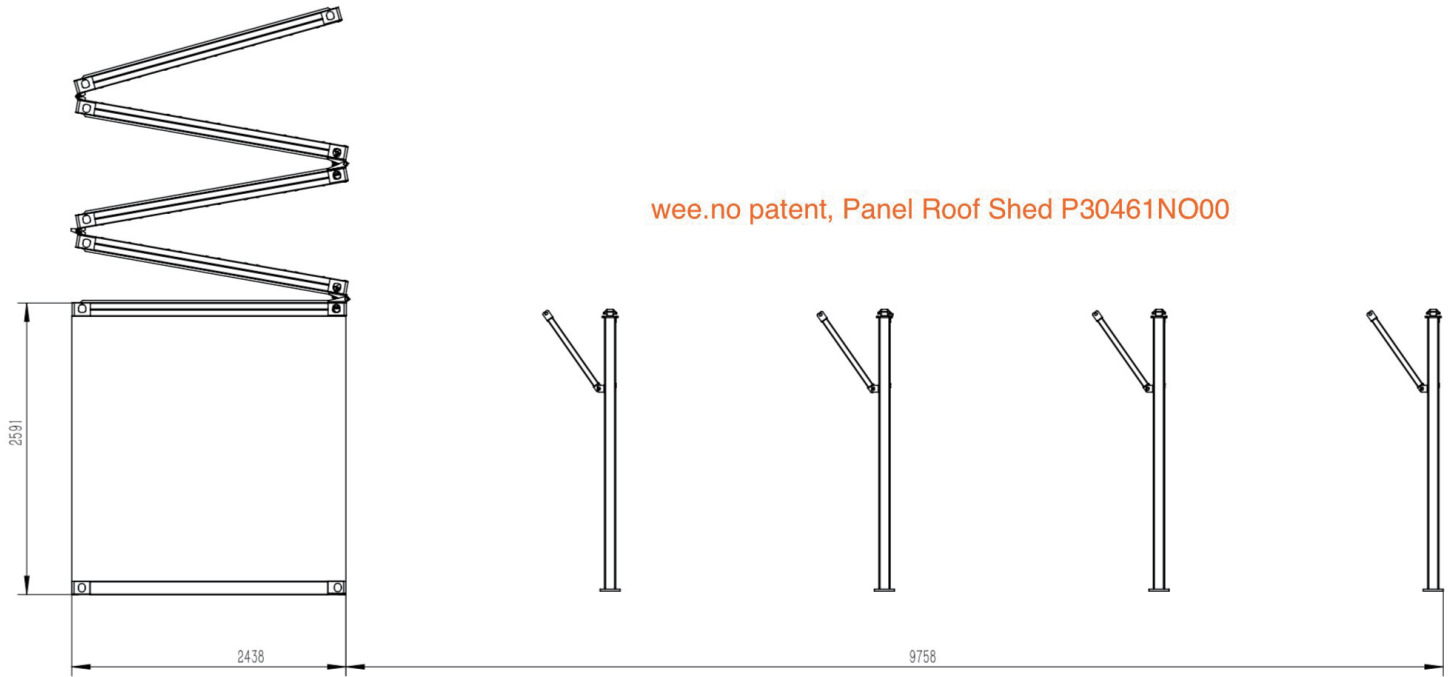
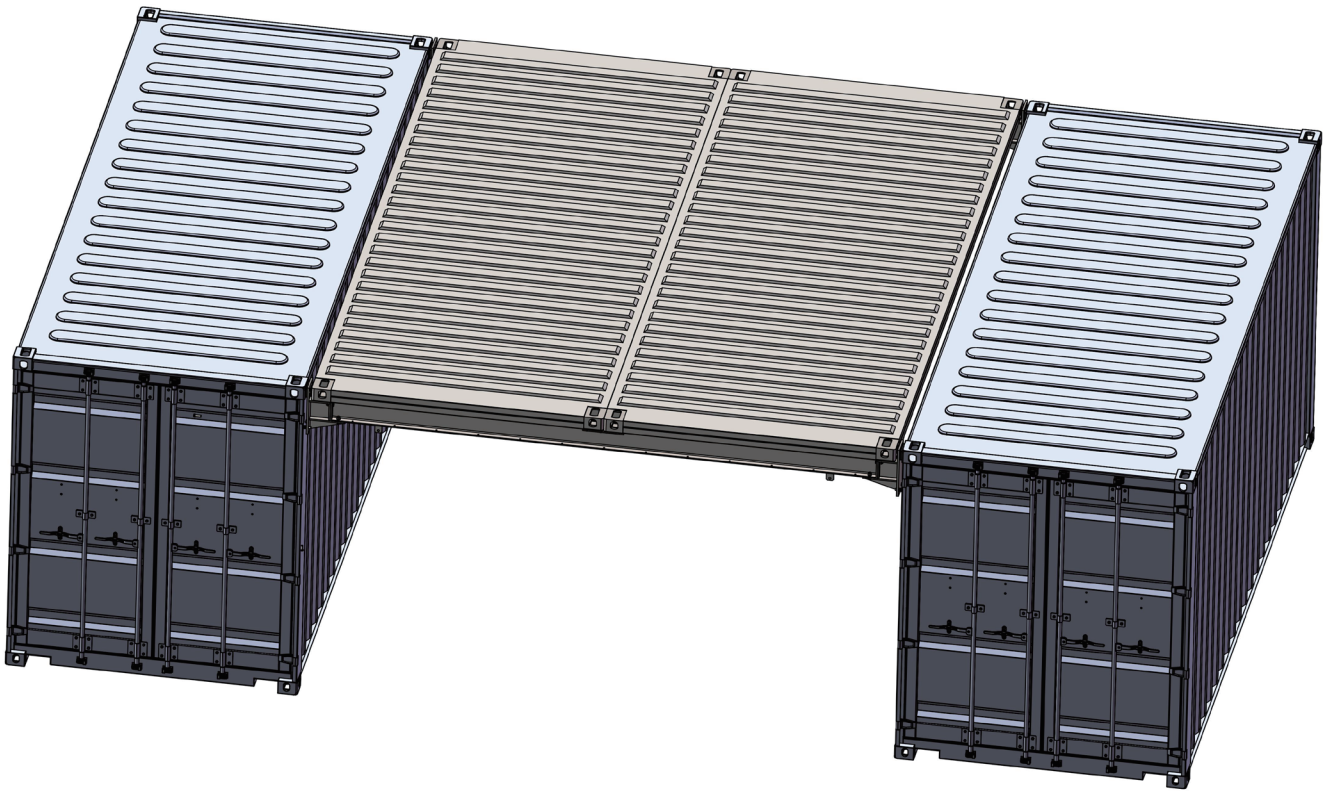


Patentnummer: P30461N000
 Referanse: Foldeble

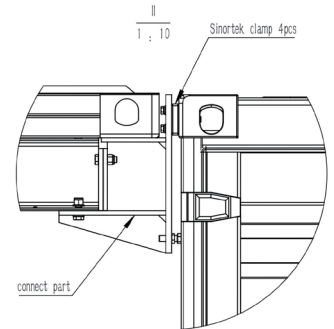
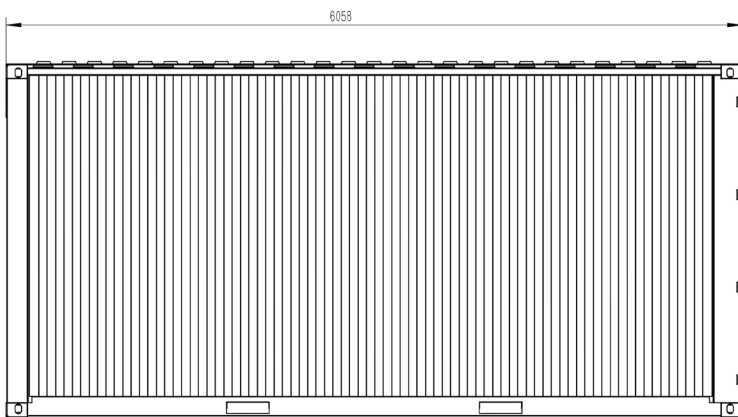
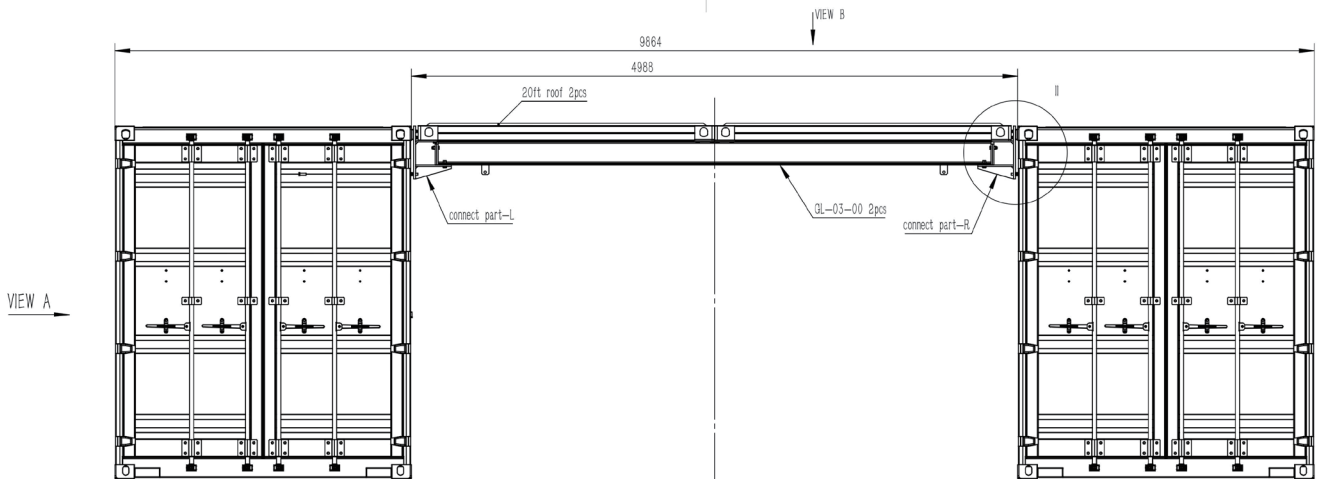


wee.no patent, Panel Roof Shed P30461NO00





SIGNATURE		DATE	SINORTEK	
DRAWN			Assy. test 3-20GP+2	
CHECKED			2CT2RF	
ENG.AFFR			DWG.NO	A3
MFG.AFFR				A
Q.A.				
DO NOT SCALE DRAWING		WEIGHT(KG): 1672.946	SCALE 1:100	SHEET OF



SIGNATURE		DATE	SINORTEK	
DRAWN			Assy. test 3-20GP+2	
CHECKED			2CT2RF	
ENG.AFFR			DWG.NO	A3
MFG.AFFR				A
Q.A.				
DO NOT SCALE DRAWING		WEIGHT(KG): 1672.946	SCALE 1:100	SHEET OF

